

# PLASMA/LCD TV STAND


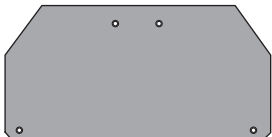




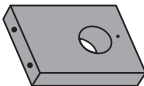
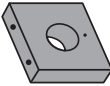
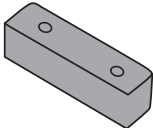
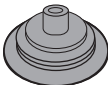
Models: 520mm wide up to 24" / 700mm wide up to 32" / 900mm wide up to 42"  
The shelves in these stands are made from toughened safety glass.

Please check the maximum TV sizes and shelf weights for your stand model.


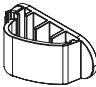



	glass top	glass shelves	max tv size
520mm wide up to 24"	30KG	10KG	24"
700mm wide up to 32"	40KG	15KG	32"
900mm wide up to 42"	50KG	15KG	42"

The following stand components are included:

 <b>A</b> 1 x glass top	 <b>B</b> 2 x glass shelves	 <b>C</b> 2 x middle tube	 <b>D</b> 2 x top tube	 <b>E</b> 2 x bottom tube
 <b>F</b> 4 x bolt rods	 <b>G</b> 1 x middle rear panel	 <b>H</b> 1 x top rear panel	 <b>I</b> 1 x bottom rear panel	 <b>J</b> 2 x front foot pad

The following fixings are included:

 <b>K</b> x 2	 <b>L</b> x 2	 <b>M</b> x 2	 <b>N</b> x 2	 <b>O</b> x 1 Allen key with Phillips head
---	---	---	---	--

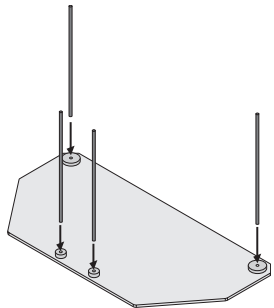
Before assembling and attaching your wall mount please read the **IMPORTANT** text listed overleaf. If you have any problems please call our customer helpline – (UK) 0800 1077812.

# ! IMPORTANT

- DO NOT climb or sit on the stand.
- DO NOT place very hot or very cold things on the glass surface.
- DO NOT touch the glass surface with hard objects.
- DO NOT use caustic or cleaners containing powder to clean the glass surface.

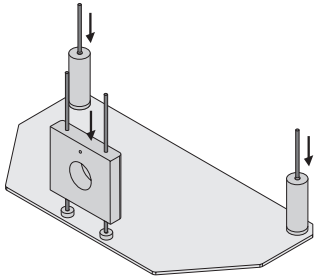
- DO NOT move the stand whilst your television is on top.
- This stand is suitable for indoor use only.
- Please move this stand gently using two people to support the stand.
- Take extra care not to damage the black screen on the undersurface of the glass when handling / assembling.

**1**



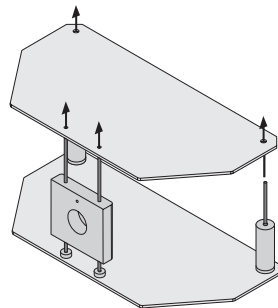
Place the glass top **A** upside down on the floor (please ensure it is not on a rough surface that could damage the glass). Take the 4 bolt rods **F** and screw them into the under side of the glass top as shown.

**2**



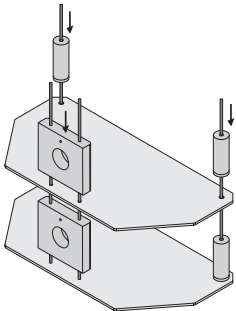
Take the 2 top tubes **D** and slide them over the bolt rods **F**. Make sure the ends with no plastic spacer goes on first as they slot onto the raised circles on the underside of glass top. Then slot the top panel **H** over the 2 rear rods as shown.

**3**



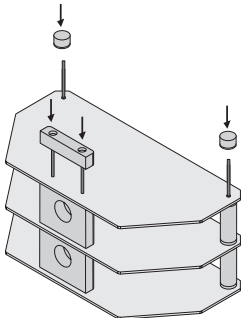
Take 1 of the glass shelves **E** and slot it over the bolt rods as shown, it should sit comfortably on the top tubes. Make sure the smooth shiny side is facing downwards (when you flip the table over it will be on top).

**4**



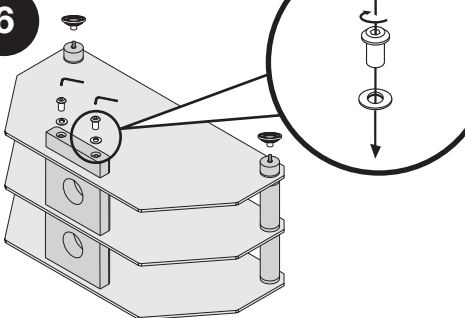
Take the 2 middle tubes **C** and slide them over the bolt rods. Then slot the middle panel **G** over the 2 rear rods as shown.

**5**



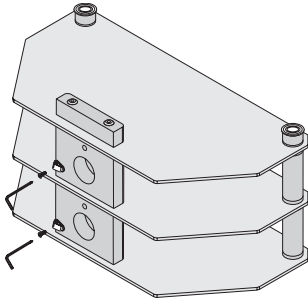
Take the second glass shelf **B** and slot it over the bolt rods as before, make sure the smooth shiny side is facing down. Then take the 2 bottom tubes **E** and slide them over the bolt rods. Finally slot the middle panel **G** over the 2 rear rods as shown.

**6**



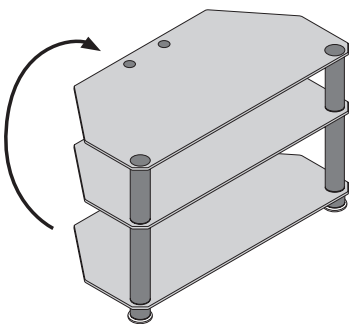
Take the 2 foot pads **J** and screw them to the ends of the front bolt rods as shown. They will hold the bottom tubes in place. Then take the 2 rivet nuts **K** and washers **L**, screw them into the base of the bottom panel as shown. You will need to use the Allen key **O** provided. CAUTION - Do not over tighten.

**7**



Screw the two cable clips **M** to the back of the middle and top panels using the 2 screws **N** as shown. You will need to use the Phillips head on your Allen key **O** to do this.

**8**



Flip your TV stand over so it rests on the foot pads and bottom panel as shown. Your stand is now ready for use.

If you have any problems please call our customer helpline – (UK) 0800 1077812.