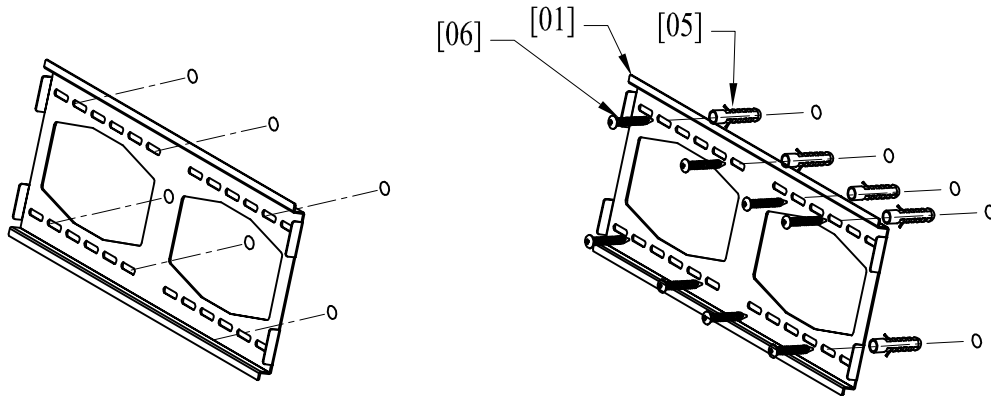
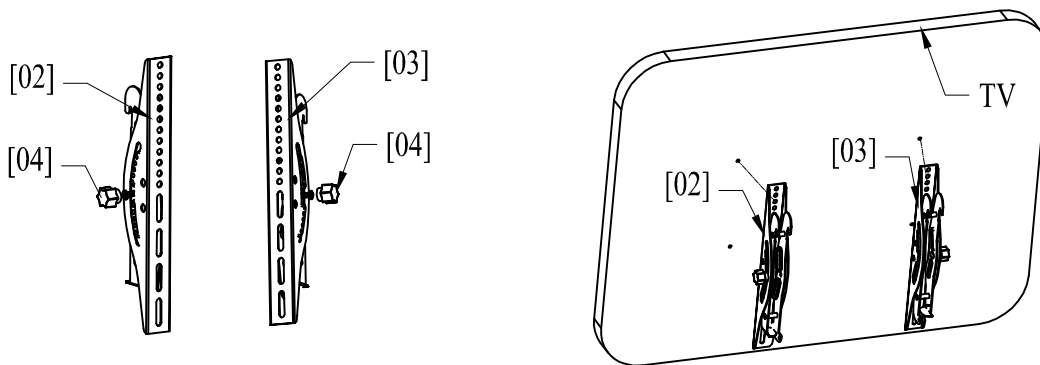


Instructions

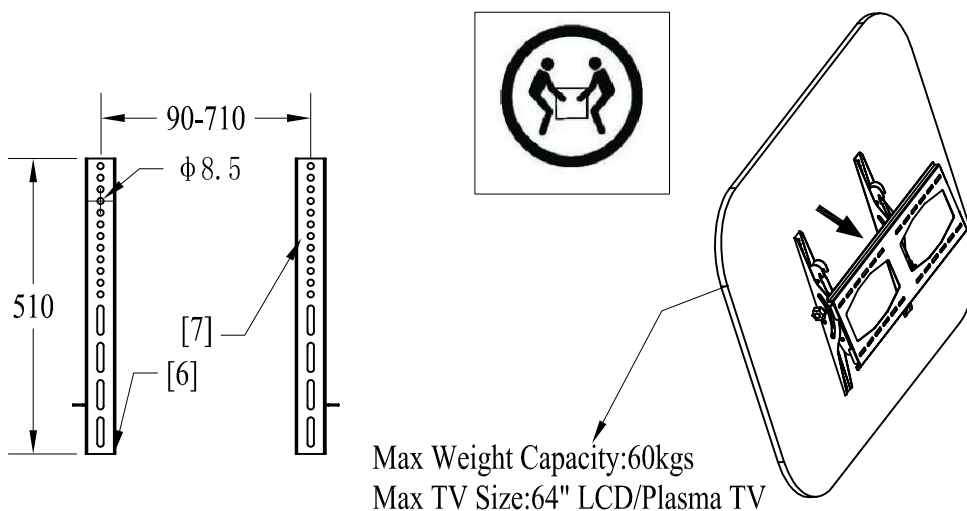
To prevent property damage or personal injury, tighten the Self Tapping Screws[06] only until the Wall Plate[01] against the wall.



Fix the Locknuts[04] before you install the LCD/Plasma TV. Choose the suitable install holes on the Fixing Panel[02] and the Fixing Panel[03] according to the TV's size. When install, make sure that the Fixing Panel[02] and the Fixing Panel[03] are in the same height level with the centre of TV.



It needs two qualified contractors to install the TV to the Wall Plate[01]. Make sure that the TV is on the centre of the Wall Plate[01]. When finish, lock all the Screws firmly.



Remarks:

Every time when you finish adjusting the angle, make sure to lock firmly the nuts. When for the first time, turn around your TV to the maximum extension at least 10 times, and then lock firmly all of the nuts.